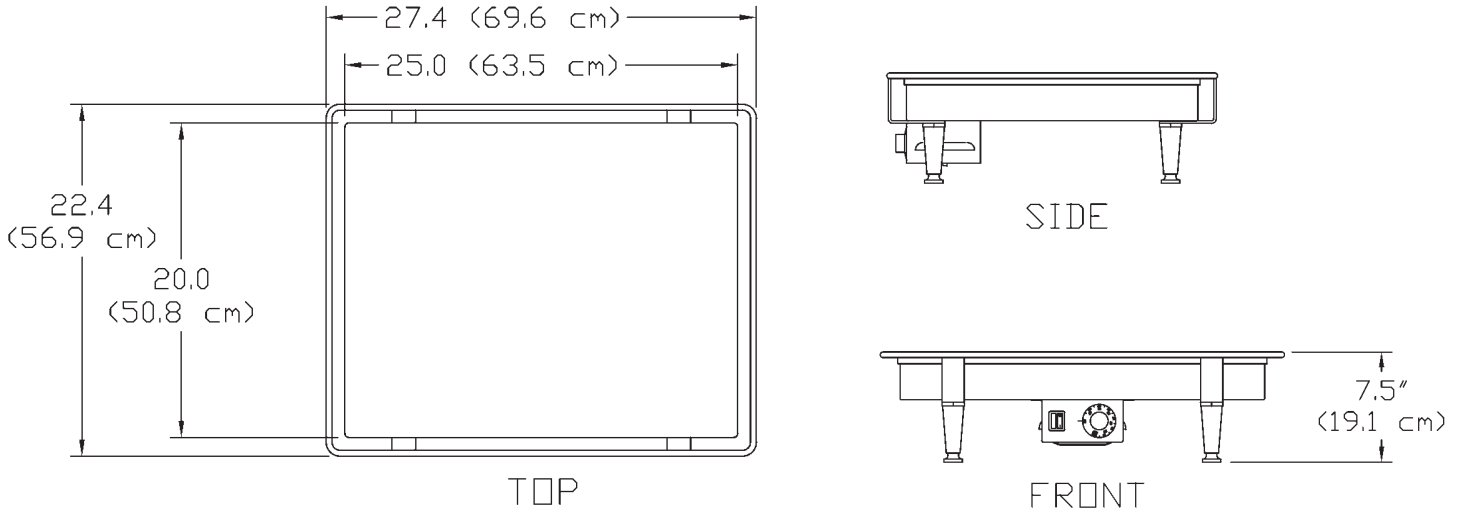


Edge SE

TW2025



Equipment Details

Temperature Control	Yes	Shipping Weight	51lbs/43kg
Maximum Heat	425F/218C	Machine Weight	43lbs/19kg
Programmable Timer	No	Voltage	208/220
ON/OFF Switch	Yes	Wattage	2800/3122
Power Cord Length	72"	Amps	13.5/14.2



PROLUXE™

CORPORATE HEADQUARTERS
20281 HARVILL AVE. PERRIS, CA 92570

HELPING COMMERCIAL KITCHENS
PRODUCE GREAT FOOD FASTER

ADVICE AND SUPPORT
1-800-624-6717

Hot and Fresh Tortillas

Provide your customers with fresh flour tortillas sets you apart from the rest. This table-top, heavy-duty flat grill is designed to produce fresh flour tortillas for the high-volume and past paced kitchen.

Edge SE

20"x25" Flat Tortilla Grill
TW2025



Fresh And Consistent

Easily add fresh tortillas to your menu and gain the advantage over the competition. Fits up to 3 large tortillas or 8 small tortillas.



PATENTED EMBEDDED HEATING ELEMENT
LIMITED LIFETIME WARRANTY



EVEN HEAT DISTRIBUTION TECHNOLOGY



HIGH PRODUCTION